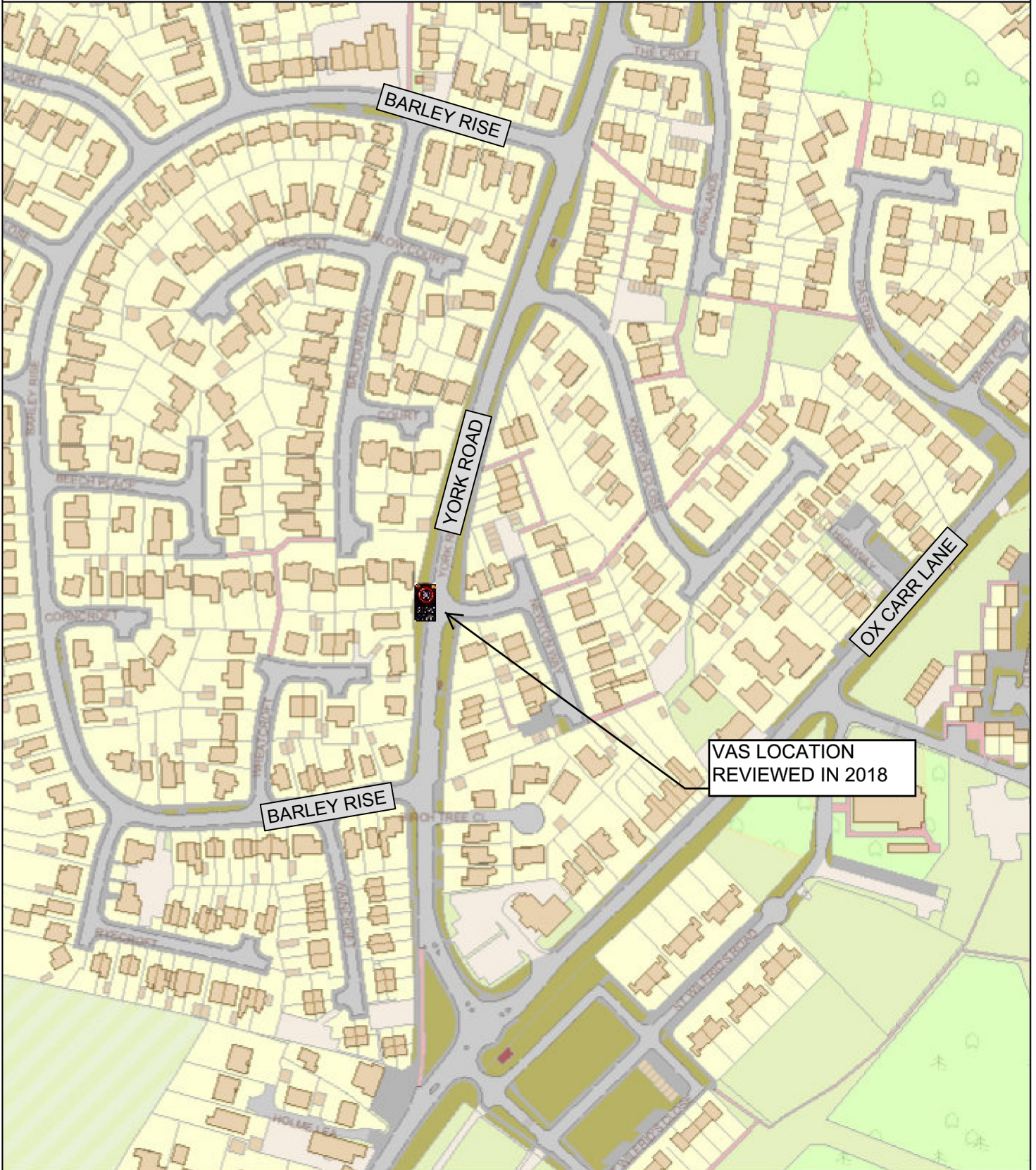




York Road Strensall Outbound VAS Site



Date: 13 Feb 2019
Author: City of York Council
Scale: 1:2,500



Stockton Lane Inbound VAS site



Date: 14 Feb 2019

Author: City of York Council

Scale: 1:2,500



CYC VAS POLICY 2015

1. This policy sets out a criteria for the use of VAS within the CYC authority area to ensure a consistent approach and targeted use of LTP resources and to make sure VAS are used in appropriate areas. It also provides a method for future monitoring, review, faults and
2. Criteria for Speed Limit VAS:
 - a. Local Transport Plan(LTP) funding will only be used where the 85thile speed equals or exceeds the signed limit by 10%+2mph (i.e. 35mph in a 30mph limit, and 46mph in a 40mph limit). This would be consistent with the speed enforcement thresholds employed by the police.
 - b. Where the LTP funding criteria is not met, a Ward Committee or Parish Council may still wish to fund the installation of a VAS. In this situation, it is recommended that a threshold of 85thile speeds being 10% above the speed limit should be adopted (i.e.33mph in a 30mph limit and 44mph in a 40mph limit).
3. Types of signs / Design considerations:

VAS installed on the Highway must comply with The Traffic Signs Regulations and General Directions 2016 unless special authorisation is obtained from the Department for Transport (DfT) for a non-prescribed sign.

Speed limit VAS should display the 'Speed Limit' Roundel to Diagram 670, accompanied by the legend "SLOW DOWN".

'Warning Signs' to Diagram numbers 504.1, 505.1, 506.1, 507.1, 510, 512, 512.1, 512.2, 512.3 and 513 can be accompanied by the legend "SLOW DOWN".

Both sign types may also include amber flashing circles.

4. Criteria for Hazard Warning VAS:

Hazard warning VAS will only be provided at sites with at least one recorded injury accident in the previous three years along with reports of inappropriate speed (which may be within the posted speed limit).

5. Post installation monitoring:

Speed data to be collected three months after installation for monitoring purposes.

6. Fault monitoring & maintenance:

When a sign develops a fault outside of the warranty period. The site will be reviewed objectively when the sign is not present applying the criteria in para. 2. If the site meets the criteria, it is recommended that the VAS is repaired or replaced. If they do not, the sign and post should be removed and the site disbanded.

7. Funding:

An annual allocation within the capital programme speed management budget to review sites that develop faults and repair or replace as appropriate based on the criteria.

Ward committee or Parish Councils are expected to fund any maintenance (if they so wish) if they originally purchased the signs.

Illustrative prices for Standard Speed VAS and Speed Indicator Devices

Prices are shown below for VAS and SID at both 450mm and 600mm roundel sizes. PGS is the SWARCO remote access system.

Model	Mains	Solar addition	Mains PGS addition	Solar PGS addition
VM21324 001	1,877.72	281.78	722.00	832.42
VM21324 002	2,068.89	281.78	722.16	722.16
VM21324 003	2,722.25	451.48	350.61	539.22
VM21324 004	2,909.16	730.71	350.61	267.85

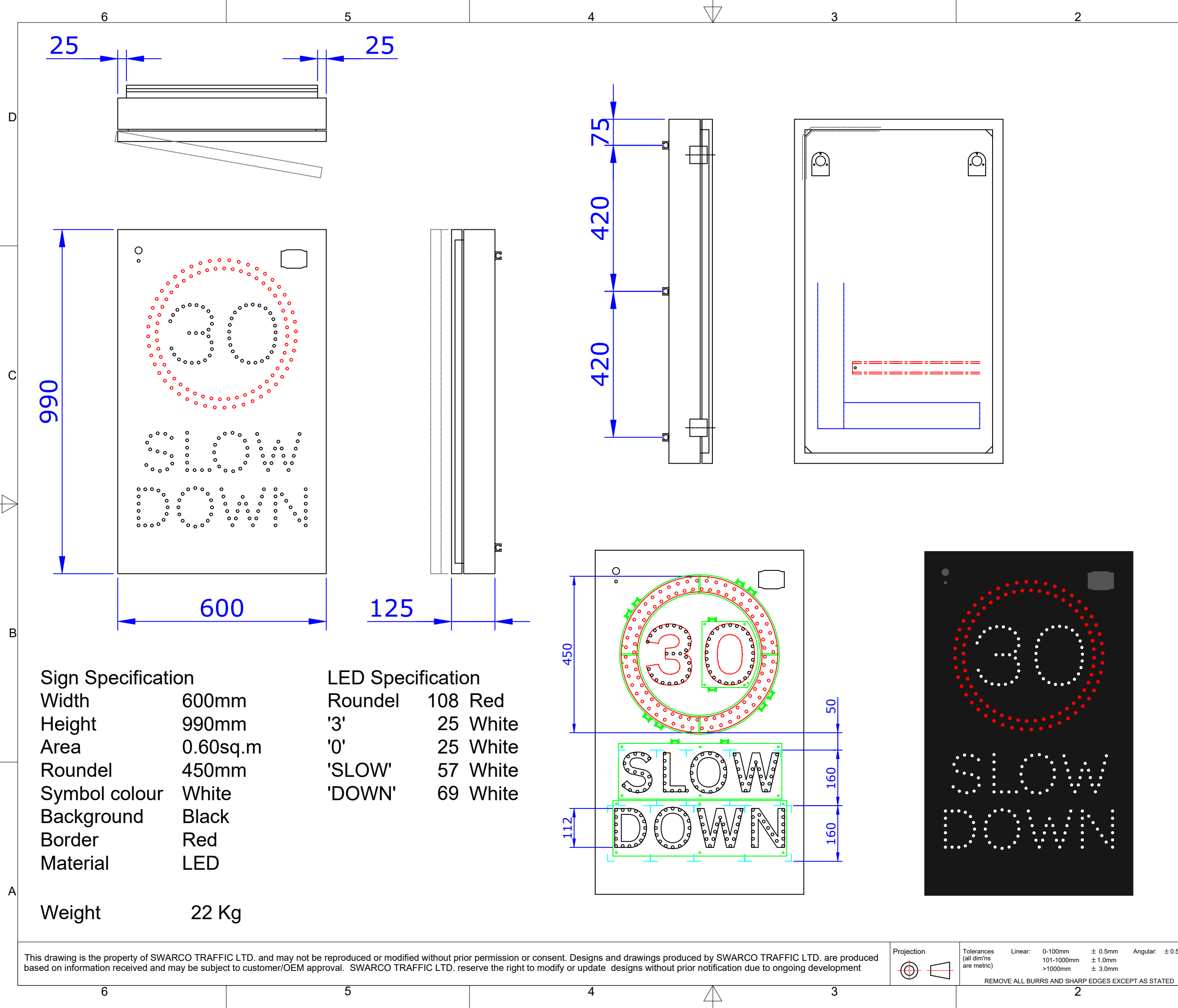
Drawings for all designs are attached for ref.

All pricing is based on 6 year Bronze (RTB) warranty, sign prices are supply only and are exc VAT.

All prices supplied by SWARCO Ltd and correct as of 01/07/2021.

Notes:

1. Enclosure depth 125mm
2. Front opening LED sign manufactured from 3mm aluminium sheet, fixed to post using small Signfix channel riveted to rear
3. Enclosure colour: Matt black



Sign Specification

Width 600mm
 Height 990mm
 Area 0.60sq.m
 Roundel 450mm
 Symbol colour White
 Background Black
 Border Red
 Material LED

LED Specification

Roundel 108 Red
 '3' 25 White
 '0' 25 White
 'SLOW' 57 White
 'DOWN' 69 White

Weight 22 Kg

10				
9				
8				
7				
6				
5				
4				
3				
2				
1	First Issue	PW	12/09/17	
REV.	DESCRIPTION	DWN	DATE	REQUESTED ECR

swarco

SWARCO TRAFFIC LTD

7 Mercury RD, Gallowfields Trading Est. Richmond, DL10 4TQ

T: 01748 824 624
F: 01748 824 625

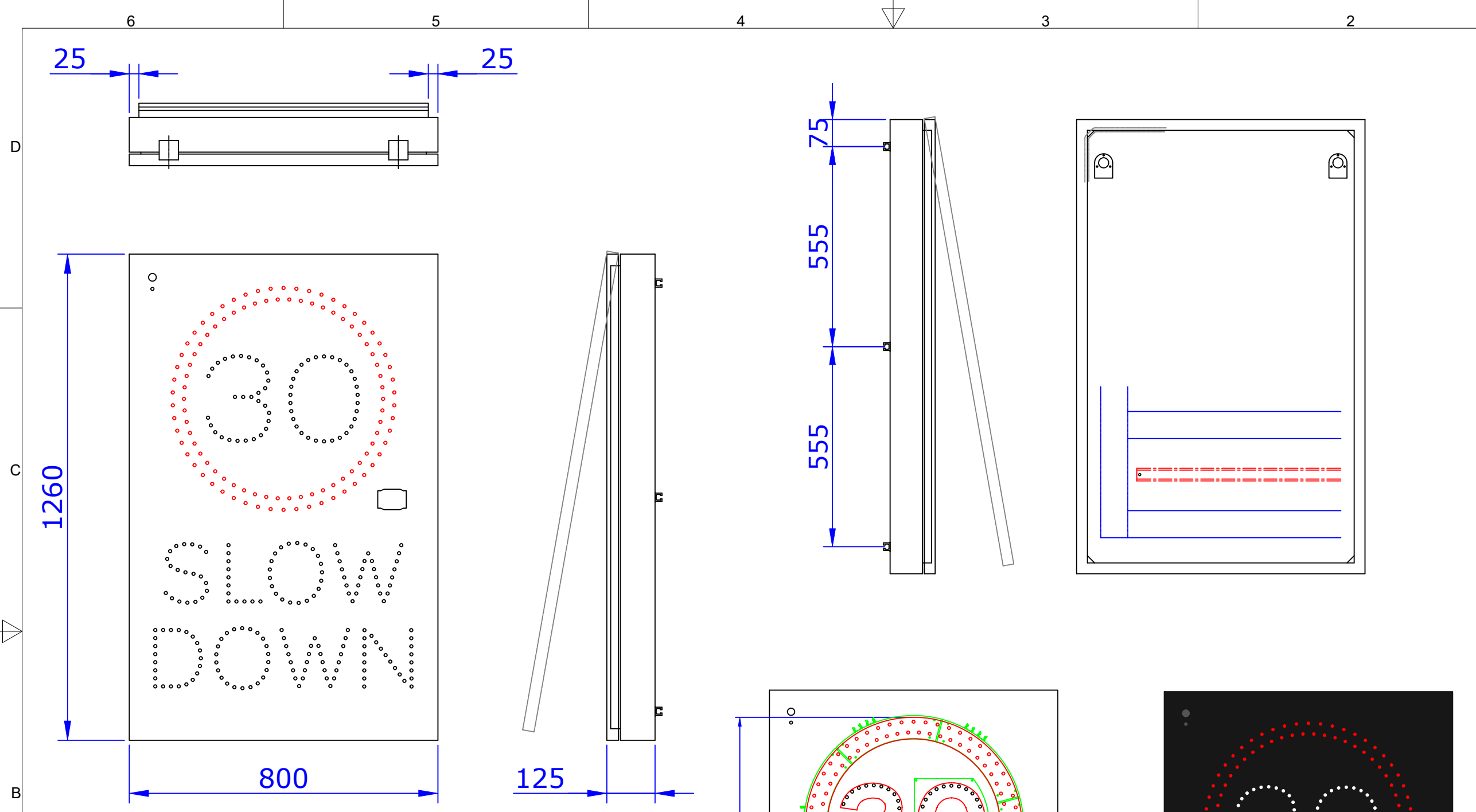
Description:
Speed Warning VAS

Sign Load Calculations	Comply To: N/A	Calculated: N/A
Scale: NTS	Sheet No: 1 Of 1	Revision: 1

DWG No./Product Code:
VM21324 001

DO NOT SCALE, IF IN DOUBT ASK!

ANNEX D



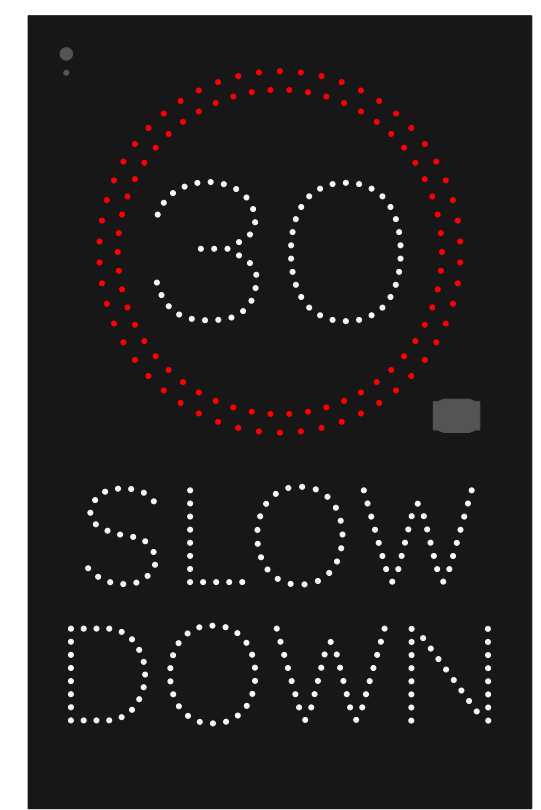
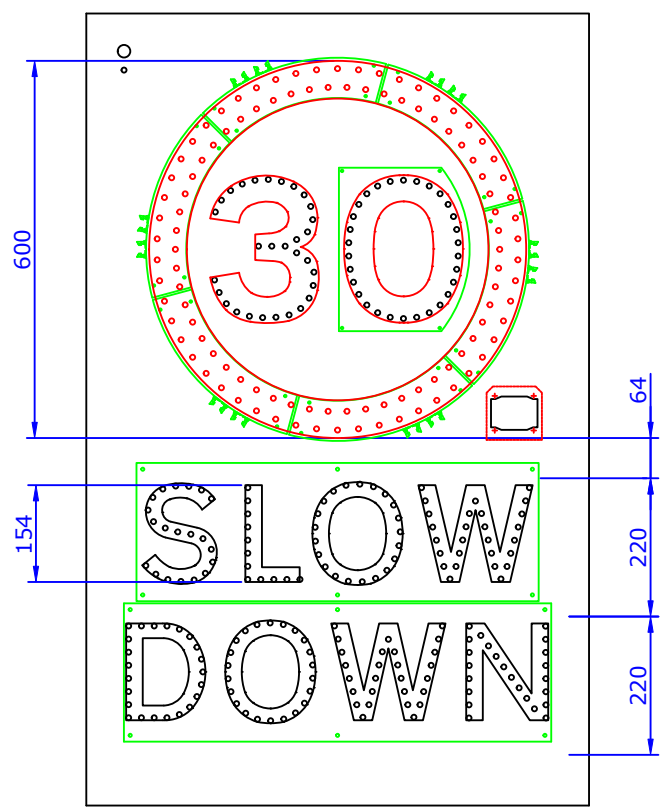
Sign Specification

Width	800mm
Height	1260mm
Area	1.01sq.m
Triangle	600mm
Symbol colour	White
Background	Black
Border	Red
Material	LED

LED Specification

Roundel	108 Red
'0'	30 White
'3'	30 White
'SLOW'	80 White
'DOWN'	96 White

Weight 32 Kg



Sales Drawing, Not For Production

- Notes:**
1. Enclosure depth 125mm
 2. Front opening LED sign manufactured from 3mm aluminium sheet, fixed to post using small Signfix channel riveted to rear
 3. Enclosure colour: Matt black
 4. LED holes Ø8, approx 25mm pitch to give 600mm triangle with 150mm height text

10				
9				
8				
7				
6				
5				
4				
3				
2				
1	First Issue	PW	12/09/17	
REV.	DESCRIPTION	DWN	DATE	REQUESTED ECR

swarco

SWARCO TRAFFIC LTD

7 Mercury RD, Gallowfields Trading Est. Richmond, DL10 4TQ

T: 01748 824 624
F: 01748 824 625

Description:
Speed Warning VAS

Sign Load Calculations	Comply To: N/A	Calculated By: N/A
Scale: NTS	Sheet No: 1 Of 1	Revision: 1

DWG No./Product Code:
VM21324 002

DO NOT SCALE, IF IN DOUBT ASK!

ANNEX D

This drawing is the property of SWARCO TRAFFIC LTD. and may not be reproduced or modified without prior permission or consent. Designs and drawings produced by SWARCO TRAFFIC LTD. are produced based on information received and may be subject to customer/OEM approval. SWARCO TRAFFIC LTD. reserve the right to modify or update designs without prior notification due to ongoing development

Projection

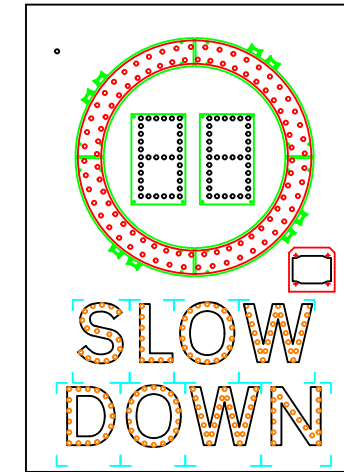
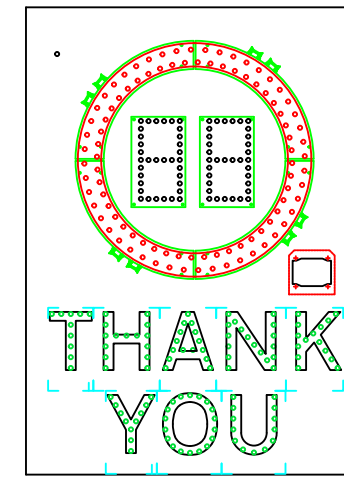
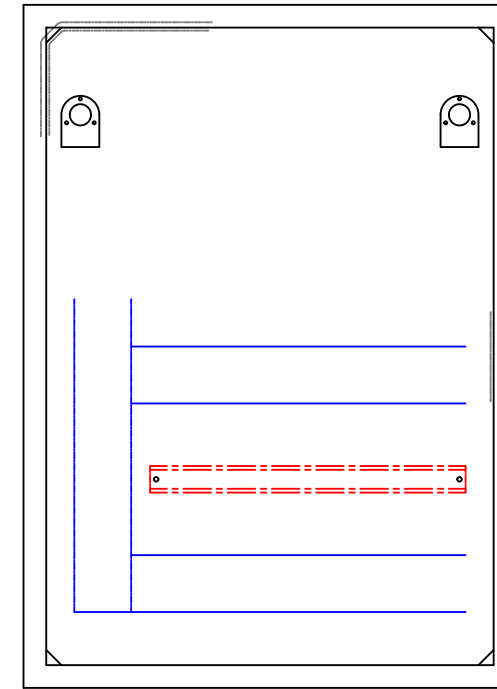
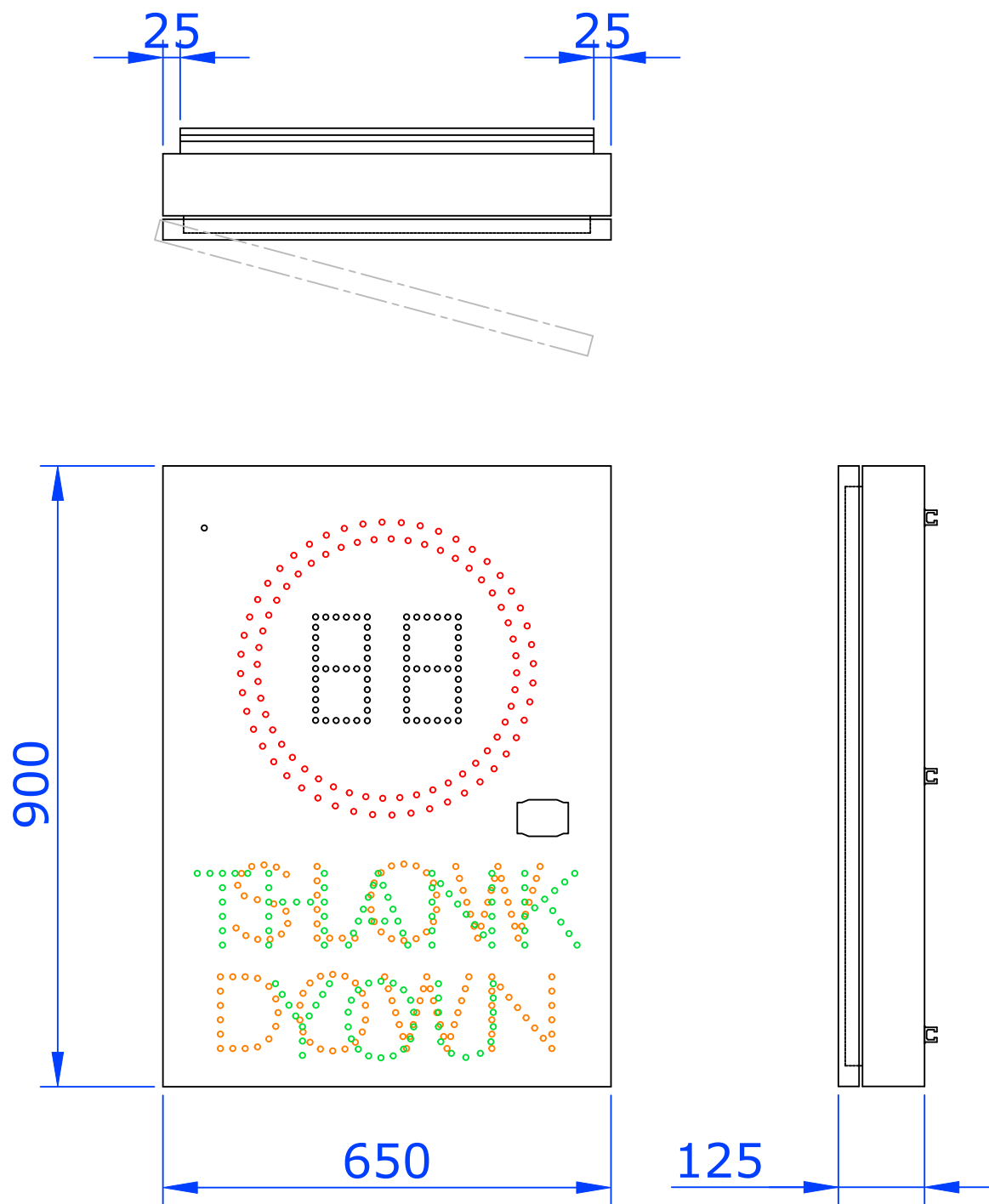
Tolerances (all dim's are metric)	Linear: 0-100mm ± 0.5mm	Angular: ± 0.5°
	101-1000mm ± 1.0mm	
	>1000mm ± 3.0mm	

REMOVE ALL BURRS AND SHARP EDGES EXCEPT AS STATED

A3

Notes:

1. Enclosure depth 125mm
2. Front opening LED sign manufactured from 3mm aluminium sheet, fixed to post using small Signfix channel riveted to rear
3. Enclosure colour: Matt black
4. LED holes 8mmØ, approx 20mm apart in front face to give 75 x-height text with 450mm roundel

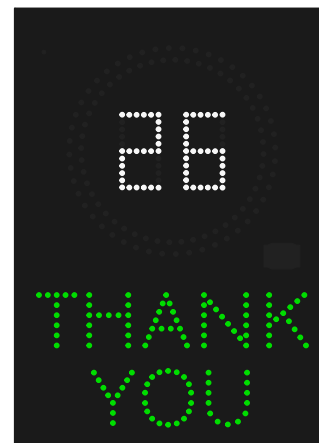


Sign Specification

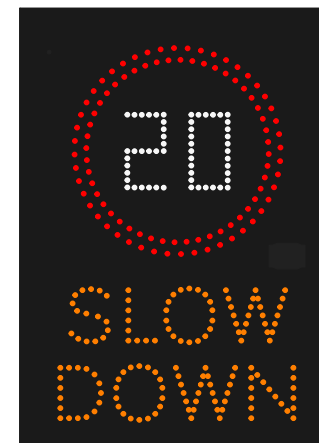
Width	650mm
Height	900mm
Area	0.59sq.m
Roundel	450mm
Digit colour	White
Background	Black
Border	Red
Material	LED
Weight	22 Kg

LED Specification

Roundel	96	Red
'88'	2x34	White
'THANK'	73	Green
'YOU'	42	Green
'SLOW'	68	Amber
'DOWN'	78	Amber



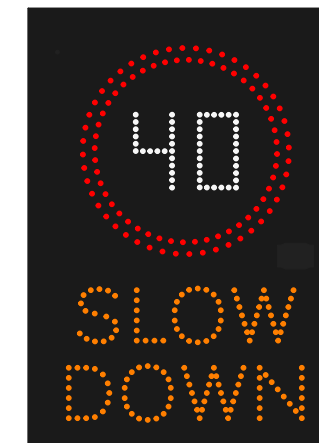
Display 1
(below 30mph speed limit)



Display 2
(above 20mph speed limit)



Display 3
(above 30mph speed limit)



Display 4
(above 40mph speed limit)

DISPLAY DETAIL (BASED ON 20mph, 30mph & 40mph SPEED LIMITS)

10				
9				
8				
7				
6				
5				
4				
3				
2				
1	First Issue		PW	06/11/17
REV.	DESCRIPTION	DWN	DATE	REQUESTED ECR



SWARCO TRAFFIC LTD

7 Mercury RD, Gallowfields Trading Est. Richmond, DL10 4TQ
T: 01748 824 624 F: 01748 824 625

Project: Coventry 'Your Speed' VAS

Description: VAS 1 Enclosure

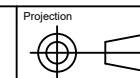
Sign Load Calculations Checked By:

Revision 1	Job Number: VM21324	Scale: NTS
------------	---------------------	------------

Drawing No.: STL-VM21324-003-SD

DO NOT SCALE, IF IN DOUBT ASK!

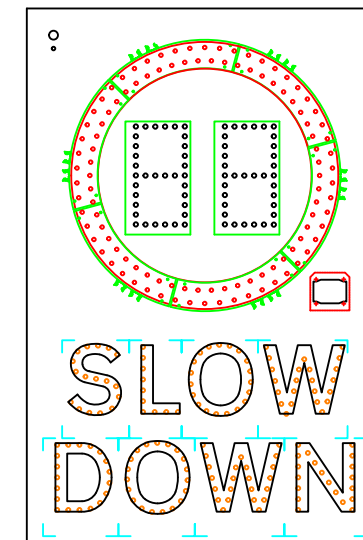
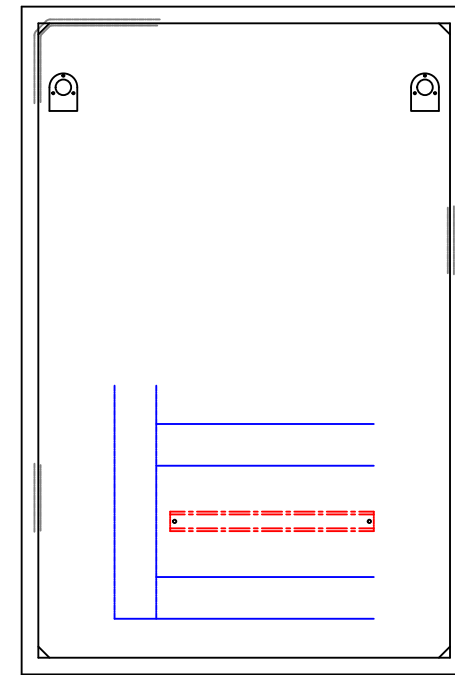
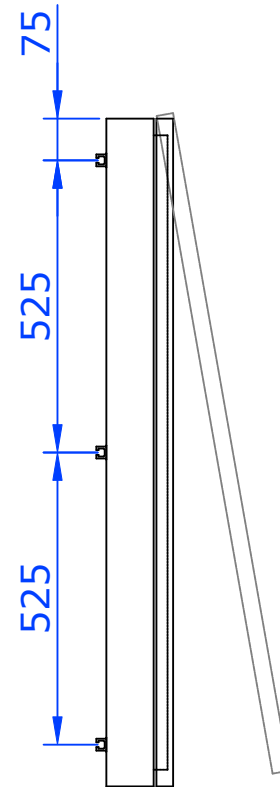
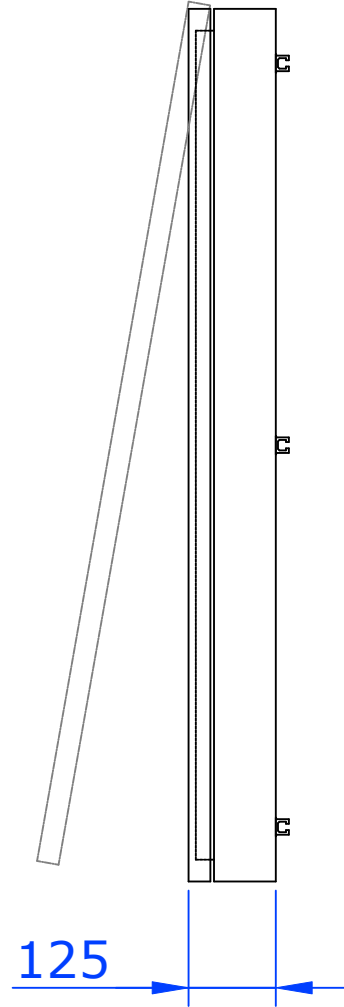
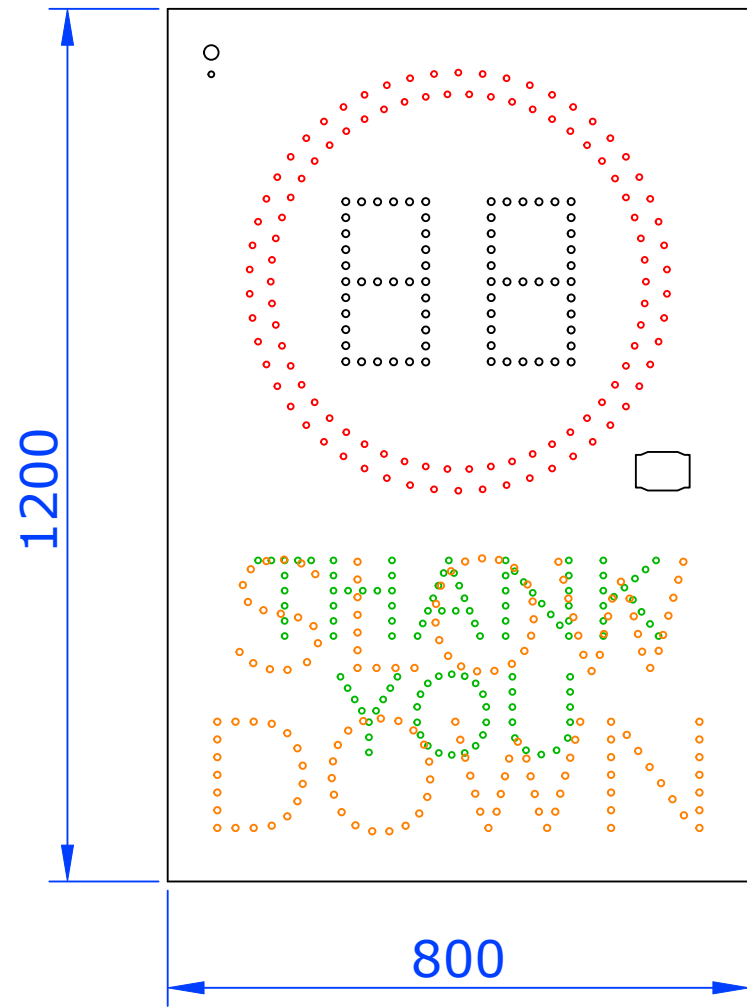
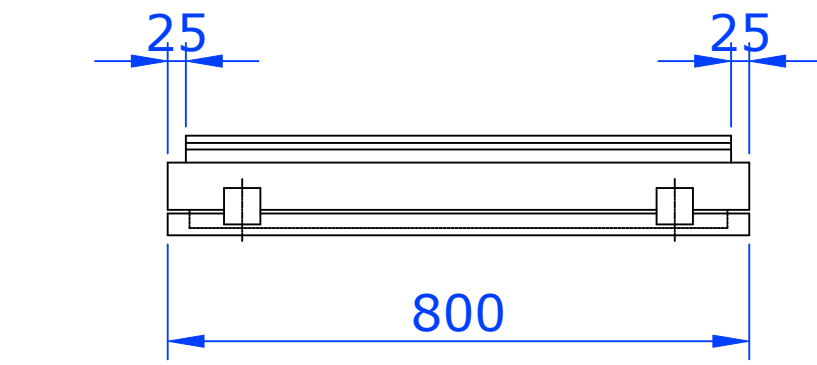
ANNEX D



Tolerances (all dim's are metric)	Linear:	Angular:
	0-100mm ±0.5mm	±0.5°
	101-1000mm ±1.0mm	
	>1000mm ±3.0mm	

Notes:

1. Enclosure depth 125mm
2. Front opening LED sign manufactured from 3mm aluminium sheet, fixed to post using small Signfix channel riveted to rear
3. Enclosure colour: Matt black
4. LED holes 8mmØ, approx 20mm apart in front face to give 75 x-height text with 600mm roundel



Display 1 (5-30mph)



Display 2 (20-99mph)

Sign Specification

Width	800mm
Height	1200mm
Area	0.96sq.m
Roundel	600mm
Digit colour	White
Background	Black
Border	Red
Material	LED
Weight	31 Kg

LED Specification

Roundel	108 Red
'88'	2x34 White
'THANK'	73 Green
'YOU'	42 Green
'SLOW'	69 Amber
'DOWN'	81 Amber

Switch Mains Specification

Activations	10000/day
On time	4 seconds
Battery	15 Ah
Charger	4 Ah

10				
9				
8				
7				
6				
5				
4				
3				
2				
1	First Issue	DWN	DATE	REQUESTED ECR
REV.	DESCRIPTION	DWN	DATE	REQUESTED ECR



SWARCO TRAFFIC LTD

7 Mercury RD, T: 01748 824 624
 Gallowfields Trading Est. F: 01748 824 625
 Richmond, DL10 4TQ

Project:
City of York 'Your Speed' VAS

Description:
VAS 1 Enclosure

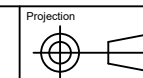
Sign Load Calculations
Checked By:

Revision	Job Number:	Scale:
1	VM21324	NTS

Drawing No.:
STL-VM21324-004-SD

**DO NOT SCALE,
IF IN DOUBT ASK!**

ANNEX D



Tolerances (all dim's are metric)	Linear:	0-100mm ±0.5mm	101-1000mm ±1.0mm	Angular: ±0.5°
		>1000mm ±3.0mm		

City of York Council
Equalities Impact Assessment

Who is submitting the proposal?

Directorate:	Place		
Service Area:	Transport		
Name of the proposal :	Vehicle Activated Sign Speed Indicator Device TRIAL		
Lead officer:	Ben Potter		
Date assessment completed:	03/06/2021		
Names of those who contributed to the assessment :			
Name	Job title	Organisation	Area of expertise

Step 1 – Aims and intended outcomes

1.1	What is the purpose of the proposal? Please explain your proposal in Plain English avoiding acronyms and jargon.
	<i>To amend the existing City of York Council Vehicle Activated Signs (VAS) Policy to allow for an alternative sign to be used at VAS sites.</i>
1.2	Are there any external considerations? (Legislation/government directive/codes of practice etc.)
	<i>Legislation & Guidance: TSRGD 2018 / TAL 1/03 – Vehicle Activated Signs</i>
1.3	Who are the stakeholders and what are their interests?
	Ward & Parish Councillors – many have asked for this signing option in the past. York and North Yorkshire Road Safety Partnership – our partners who we work closely with on speed management schemes where VAS may be deployed. Traffic Systems Team – they manage the devices once they are installed.

1.4	What results/outcomes do we want to achieve and for whom? This section should explain what outcomes you want to achieve for service users, staff and/or the wider community. Demonstrate how the proposal links to the Council Plan (2019- 2023) and other corporate strategies and plans.
	We want to be able to offer a sign type which has been requested for a number of years, with robust evidence to show that it can help reduce speeds over a sustained time period.

Step 2 – Gathering the information and feedback

2.1	What sources of data, evidence and consultation feedback do we have to help us understand the impact of the proposal on equality rights and human rights? Please consider a range of sources, including: consultation exercises, surveys, feedback from staff, stakeholders, participants, research reports, the views of equality groups, as well your own experience of working in this area etc.	
	Source of data/supporting evidence	Reason for using
	Experience of CYC Engineers	The proposal is a minor change to an existing policy which is well understood by the officers who carried out the trial of the new signs.

Step 3 – Gaps in data and knowledge

3.1	What are the main gaps in information and understanding of the impact of your proposal? Please indicate how any gaps will be dealt with.	
Gaps in data or knowledge		Action to deal with this
None		

Step 4 – Analysing the impacts or effects.

4.1	Please consider what the evidence tells you about the likely impact (positive or negative) on people sharing a protected characteristic, i.e. how significant could the impacts be if we did not make any adjustments? Remember the duty is also positive – so please identify where the proposal offers opportunities to promote equality and/or foster good relations.		
Equality Groups and Human Rights.	Key Findings/Impacts	Positive (+) Negative (-) Neutral (0)	High (H) Medium (M) Low (L)
Age	None	0	N/A
Disability	None	0	N/A
Gender	None	0	N/A
Gender Reassignment	None	0	N/A
Marriage and civil partnership	None	0	N/A

Pregnancy and maternity	None	0	N/A
Race	None	0	N/A
Religion and belief	None	0	N/A
Sexual orientation	None	0	N/A
Other Socio-economic groups including :	Could other socio-economic groups be affected e.g. carers, ex-offenders, low incomes?		
Carer	None	0	N/A
Low income groups	None	0	N/A
Veterans, Armed Forces Community	None	0	N/A
Other			
Impact on human rights:			
List any human rights impacted.			

Use the following guidance to inform your responses:

Indicate:

EIA 02/2021

- Where you think that the proposal could have a POSITIVE impact on any of the equality groups like promoting equality and equal opportunities or improving relations within equality groups
- Where you think that the proposal could have a NEGATIVE impact on any of the equality groups, i.e. it could disadvantage them
- Where you think that this proposal has a NEUTRAL effect on any of the equality groups listed below i.e. it has no effect currently on equality groups.

It is important to remember that a proposal may be highly relevant to one aspect of equality and not relevant to another.

<p>High impact (The proposal or process is very equality relevant)</p>	<p>There is significant potential for or evidence of adverse impact The proposal is institution wide or public facing The proposal has consequences for or affects significant numbers of people The proposal has the potential to make a significant contribution to promoting equality and the exercise of human rights.</p>
<p>Medium impact (The proposal or process is somewhat equality relevant)</p>	<p>There is some evidence to suggest potential for or evidence of adverse impact The proposal is institution wide or across services, but mainly internal The proposal has consequences for or affects some people The proposal has the potential to make a contribution to promoting equality and the exercise of human rights</p>
<p>Low impact (The proposal or process might be equality relevant)</p>	<p>There is little evidence to suggest that the proposal could result in adverse impact The proposal operates in a limited way The proposal has consequences for or affects few people The proposal may have the potential to contribute to promoting equality and the exercise of human rights</p>

Step 5 - Mitigating adverse impacts and maximising positive impacts

5.1	Based on your findings, explain ways you plan to mitigate any unlawful prohibited conduct or unwanted adverse impact. Where positive impacts have been identified, what is been done to optimise opportunities to advance equality or foster good relations?
Not applicable.	

Step 6 – Recommendations and conclusions of the assessment

6.1	Having considered the potential or actual impacts you should be in a position to make an informed judgement on what should be done. In all cases, document your reasoning that justifies your decision. There are four main options you can take:
<ul style="list-style-type: none"> - No major change to the proposal – the EIA demonstrates the proposal is robust. There is no potential for unlawful discrimination or adverse impact and you have taken all opportunities to advance equality and foster good relations, subject to continuing monitor and review. 	

- **Adjust the proposal** – the EIA identifies potential problems or missed opportunities. This involves taking steps to remove any barriers, to better advance quality or to foster good relations.
- **Continue with the proposal** (despite the potential for adverse impact) – you should clearly set out the justifications for doing this and how you believe the decision is compatible with our obligations under the duty
- **Stop and remove the proposal** – if there are adverse effects that are not justified and cannot be mitigated, you should consider stopping the proposal altogether. If a proposal leads to unlawful discrimination it should be removed or changed.

Important: If there are any adverse impacts you cannot mitigate, please provide a compelling reason in the justification column.

Option selected	Conclusions/justification
No major change to the proposal	The proposed change to the VAS policy has no potential for unlawful discrimination or adverse impact on equalities.

Step 7 – Summary of agreed actions resulting from the assessment

7.1 What action, by whom, will be undertaken as a result of the impact assessment.			
Impact/issue	Action to be taken	Person responsible	Timescale
N/A	N/A	N/A	N/A

Step 8 - Monitor, review and improve

8. 1	How will the impact of your proposal be monitored and improved upon going forward? Consider how will you identify the impact of activities on protected characteristics and other marginalised groups going forward? How will any learning and enhancements be capitalised on and embedded?
	N/A